

# eurolite®

## LED BAR-9 UV 9x3W & LED BAR-18 UV 18x3W



### DANGER! Electric shock caused by short-circuit

Be careful with your operations. With a dangerous voltage you can suffer a dangerous electric shock when touching the wires. Never open the housing. Keep the device away from rain and moisture.



Please read these instructions carefully before using the product. They contain important information for the correct use of the product.

Every person involved with the installation, operation and maintenance of this device has to

- be qualified
- follow the instructions of this manual
- consider this manual to be part of the total product
- keep this manual for the entire service life of the product
- pass this manual on to every further owner or user of the product
- download the latest version of the user manual from the Internet

## INTRODUCTION

Thank you for having chosen one of our products. If you follow the instructions given in this manual, we are sure that you will enjoy this device for a long period of time.

## Product features

### UV LED light bar with high-power 3 W LEDs for dynamic blacklight effects

- Perfect for decorative and illumination purposes
- Ultra-light, ideally suited for mobile use
- Swivel mounting brackets
- Slender housing
- Available in two sizes

## SAFETY INSTRUCTIONS



### WARNING!

Please read the safety warnings carefully and only use the product as described in this manual to avoid accidental injury or damage.

### Intended use

- This device is a spotlight for creating decorative lighting effects. This device is designed for professional use in the field of event technology, e.g. on stage. It is not suitable for household lighting.
- Only use the device according to the instructions given herein. Damages due to failure to follow these operating instructions will void the warranty! We do not assume any liability for any resulting damage.
- We do not assume any liability for material and personal damage caused by improper use or non-compliance with the safety instructions. In such cases, the warranty will be null and void.
- Unauthorized rebuilds or modifications of the device are not permitted for reasons of safety and render the warranty invalid.

### Danger due to electricity

- The device is suitable for indoor use only. Do not use it outdoors. Never expose it to rain or moisture. Do not store it in rooms exposed to moisture.
- To reduce the risk of electric shock, do not open any part of the device. There are no serviceable parts inside the device.
- Only connect the device to a properly installed mains outlet. The outlet must be protected by residual current breaker (RCD). The voltage and frequency must exactly be the same as stated on the device. If the mains cable is equipped with an earthing contact, then it must be connected to an outlet with a protective ground. Never deactivate the protective ground of a mains cable. Failure to do so could possibly injure the user.
- The mains outlet must be easily accessible so that you can unplug the device quickly if need be.
- Never touch the mains plug with wet or damp hands. There is the risk of potentially fatal electric shock.
- The mains cable must not be bent or squeezed. Keep it away from hot surfaces or sharp edges.
- Never pull the mains cable to disconnect the mains plug from the mains outlet, always seize the plug.
- Unplug the device during lightning storms, when unused for long periods of time or before cleaning.
- Do not expose the device to any high temperatures, direct sunlight, dripping or splashing water, strong vibrations or heavy mechanical stress.
- Do not place any objects filled with liquids on the device.
- Do not place any open sources of fire, such as burning candles, on or directly next to the device.
- Make sure that objects cannot fall into the device, in particular metal parts.
- Only have repairs to the device or its mains cable carried out by qualified service personnel. Repairs are required when the device or the mains cable is visibly damaged, liquid has been spilled or objects have fallen into the device; when the device has been exposed to rain or moisture, has been dropped or malfunctions occur.
- Cleaning of the device is limited to the surface. Make sure that moisture does not come into contact with any areas of the terminal connections or mains voltage control parts. Only wipe off the product with a soft lint-free and moistened cloth. Never use solvents or aggressive detergents.

### Danger to children and people with restricted abilities

- This product is not a toy. Keep it out of the reach of children and pets. Do not leave packaging material lying around carelessly. Never leave this device running unattended.
- This device may be used only by persons with sufficient physical, sensorial, and intellectual abilities and having corresponding knowledge and experience. Other persons may use this device only if they are supervised or instructed by a person who is responsible for their safety.

## INSTALLATION



### WARNING! Risk of injury caused by falling objects

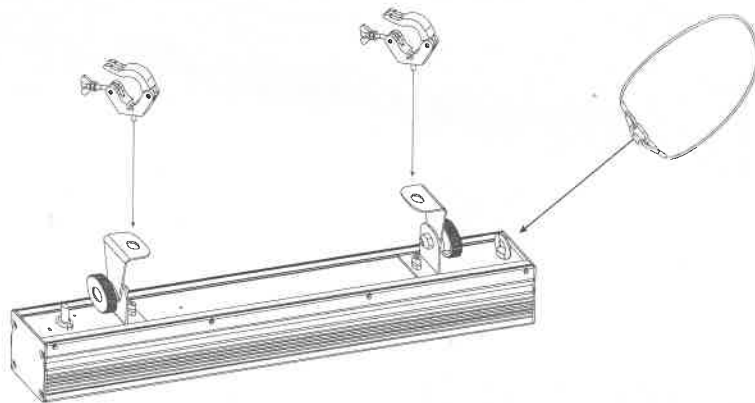
Devices in overhead installations may cause severe injuries when crashing down. Make sure that the device is installed securely and cannot fall down. The installation must be carried out by a specialist who is familiar with the hazards and the relevant regulations.

This product is designed to be mounted on a floor, wall or ceiling. Depending on the surface, suitable screws and dowels must be used. Make sure that the product cannot fall down.

Alternatively, the device may be fastened to a truss or similar rigging structure. The device must never be fixed swinging freely in the room.

- 1 The rigging structure must support at least 10 times the weight of all fixtures to be installed on it.
- 2 Block access below the work area and work from a stable platform when installing the device.
- 3 Use rigging hardware that is compatible with the structure and capable of bearing the weight of the device. Please refer to the "Accessories" section for a list of suitable rigging hardware.
- 4 Secure the device with a safety bond or other secondary attachment. This secondary safety attachment must be sufficiently dimensioned in accordance with the latest industrial safety regulations and constructed in a way that no part of the installation can fall down if the main attachment fails. An appropriate eyelet is mounted on the device for fixation of the safety bond. Fasten the safety bond in such a way that, in the event of a fall, the maximum drop distance of the device will not exceed 20 cm.
- 5 To align the device, release the fixation screws at the mounting bracket, adjust the desired inclination angle and tighten the fixation screws.
- 6 After installation, the device requires inspections periodically to prevent the possibility of corrosion, deformation and looseness.

Shown: 51930307, LED BAR-9 UV 9x3W



## CONNECTION TO THE MAINS

The device uses an auto-range power supply that accepts input voltages between 100 und 240 volts.

- 1 Connect the device via the power plug to a grounded mains socket. Thus the unit is switched on.
- 2 To switch off the unit, disconnect the power plug.
- 3 Do not connect the unit to the mains voltage via a dimmer. For a more convenient operation, use a mains outlet which is switchable.

## CLEANING AND MAINTENANCE

The outside of the device should be cleaned periodically to remove contaminants such as dust etc. The lenses, in particular, should be clean to ensure that light will be emitted at maximum brightness.

- 1 Disconnect the device from power and allow it to cool before cleaning.
- 2 Clean the surface with a soft lint-free and moistened cloth. Never use alcohol or solvents as these may damage the surface. Make sure that no liquids can enter the device.
- 3 The device must be dry before reapplying power.

There are no serviceable parts inside. Do not open the housing. Do not try to repair the device by yourself as this may result in damage. Maintenance and service operations are only to be carried out by authorized dealers. Should you need any spare parts, please use genuine parts. Should you have further questions, please contact your dealer.

## PROTECTING THE ENVIRONMENT



### Disposal of old equipment

When to be definitively put out of operation, take the product to a local recycling plant for a disposal which is not harmful to the environment. Devices marked with this symbol must not be disposed of as household waste. Contact your retailer or local authorities for more information. Remove any inserted batteries and dispose of them separately from the product.

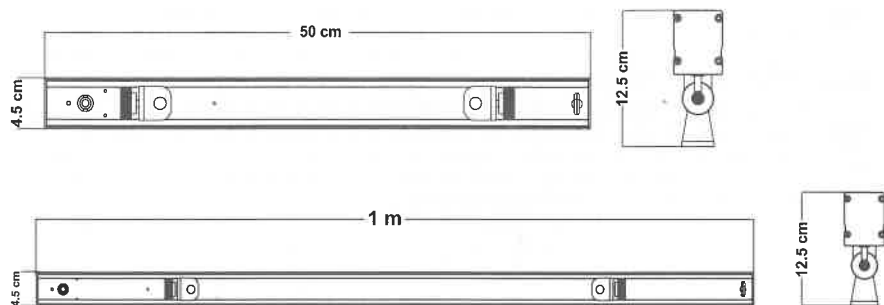


You as the end user are required by law (Battery Ordinance) to return all used batteries/rechargeable batteries. Disposing of them in the household waste is prohibited. You may return your used batteries free of charge to collection points in your municipality and anywhere where batteries/rechargeable batteries are sold. By disposing of used devices and batteries correctly, you contribute to the protection of the environment.

## TECHNICAL SPECIFICATIONS

Model:	No. 51930307 LED BAR-9 UV 9x3W	No. 51930309 LED BAR-18 UV 18x3W
Power supply:	100-240 V AC, 50/60 Hz	100-240 V AC, 50/60 Hz
Power consumption:	30 W	60 W
IP classification:	IP20	IP20
Protection class:	Class I	Class I
Power connection:	Fixed power supply cord with safety plug	Fixed power supply cord with safety plug
Lamp type:	LED lamp	LED lamp
LED:	9 x high-power 3 W ultra violet (UV)	18 x high-power 3 W ultra violet (UV)
Cooling:	Passive convection	Passive convection
Control:	Plug and play	Plug and play
Beam angle (1/2 peak):	80°	80°
Wavelength:	400 nm	400 nm
Housing color:	Black	Black
Material:	Aluminum	Aluminum
Dimensions:	Width: 50 cm	Width: 1 m
	Depth: 4.5 cm	Depth: 4.5 cm
	Height: 12.5 cm	Height: 12.5 cm
Weight:	1.1 kg	1.9 kg
Noise classification:	Class 0 (no noise at all)	Class 0 (no noise at all)
<b>Mounting bracket</b>		
Pieces:	2 pcs.	2 pcs.
Mounting holes:	10.5 mm Ø diameter	10.5 mm Ø diameter
Material:	Metal	Metal
Color:	Black	Black

All information is subject to change without prior notice. © 20.05.2022



## Accessories

EUROLITE TPC-10 Coupler, silver	No. 59006856
EUROLITE Safety Bond UNV-5 3x600mm up to 5kg silver	No. 58010372